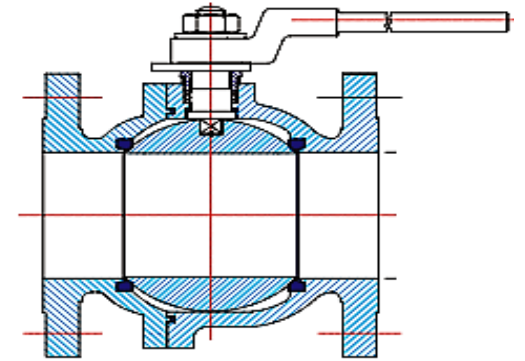
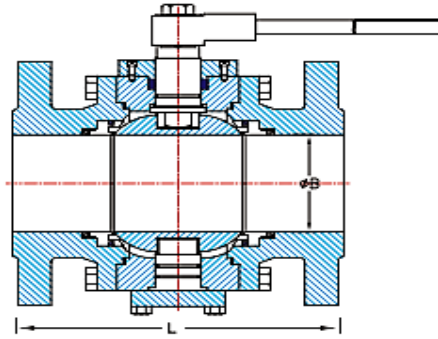


FLOATING / TRUNNION MOUNTED BALL VALVES



Main Features :

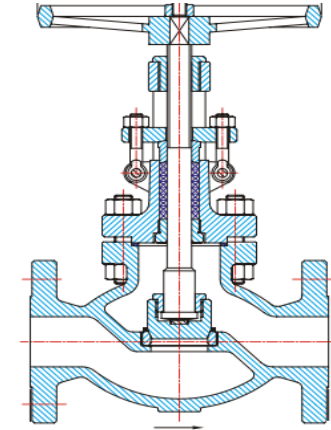
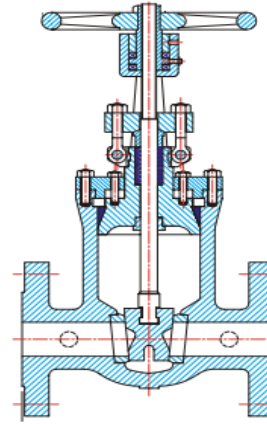
- Low Operating Torque
- Blow Out proof Design & Antistatic Device.
- Design Std : BS5351/API6D ; Testing as per API 598
- Face to Face Dimensions as per ASME B16.10
- Fire Safe as per API 607 / BS6755 Part II / API 6FA
- Full / Reduced Bore
- Double Block & Bleed.

On Request :

- Gear / Actuated (Pneumatic / Motorized / Hydraulic)
- High Temp & Cryogenic Service
- Cryogenic Service

Class Rating	NPS (inch)	End Connection	Bonnet Type	Sealing Type	Design Standard	Material
150 lbs.	2"~60"	RF / FF / RTJ / BW	BB/WB	Metal / Soft	API 6D / ASME B16.34	ASTM A 216 GR. WCB/ ASTM A 352 Gr.LCB/ ASTM A 351 CF8/CF8M / ASTM A 890 DUPLEX /ASTM B 148 C95800/ ASTM A105/ ASTM A182. Gr F304/316
300 lbs.	2"~56"					
600 lbs.	2"~56"					
900 lbs.	2"~52"					
1500 lbs.	2"~32"					
2500 lbs.	2"~20"					

GATE & GLOBE VALVES



Main Features :

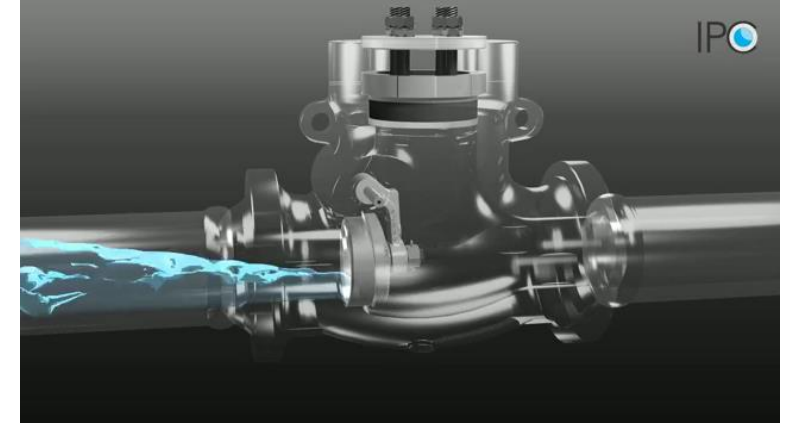
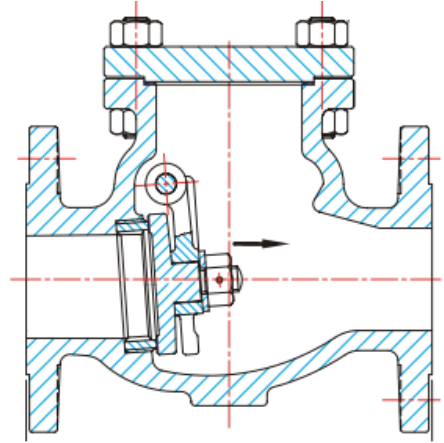
- OS&Y Type , Bolted Bonnet
- Low Operating Torque
- Design as per API 600 / BS 1873 , Testing as per API 598
- Face to Face as per ASME B16.10 (RF / FF/ RTJ / BW)
- Valve with back Seat Arrangement
- Solid / Flexible Wedge
- Plug Type Disc (Globe Valves)

Class Rating	NPS (inch)	End Connection	Bonnet Type	Sealing Type	Design Standard	Material
150 lbs.	1.5" to 60"	RF / FF /RTJ / BW	BB	Metal to Metal	API 600 / API 6D / ASME B 16.34,	ASTM A 216 GR. WCB/ ASTM A 352 Gr.LCB/ ASTM A 351 CF8/CF8M / ASTM A 890 DUPLEX , ASTM B 148 C95800
300 lbs.	1.5" to 48"		BB			
600 lbs.	2"to 36"		BB			
900 lbs.	2" to 30"		BB/PSB			
1500 lbs.	2" to 24"		BB/PSB			
2500 lbs.	2" to 16"		BB/PSB			

Remark:

Based on the Applicable Standard the valve can be Through Conduit, Cryogenic Valves
NACE Service, Fire Safe, Hydrogen Service Valves & Bellow Sealed Available

SWING CHECK VALVES



Main Features :

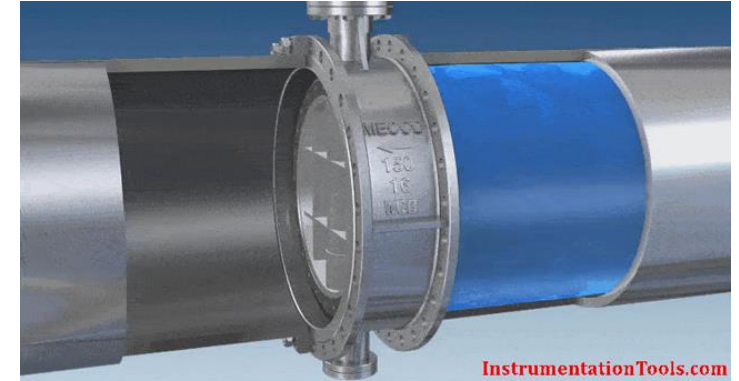
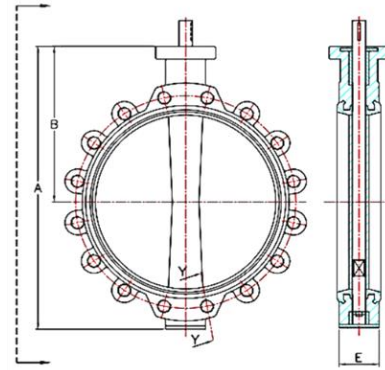
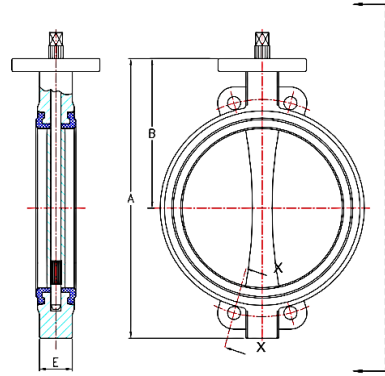
- Bolted Cover
- Design as per BS 1868 / ANSI B16.34 , Testing as per BS 6755 Part I
- Design as per API 6D (Fully Open) - On Request -
- Face to Face as per ASME B16.10 (RF / FF/ RTJ / BW)

Remark:

Based on the Applicable Standard the valve can be According to NACE Service, Hydrogen Service Valves Available.

Class Rating	NPS (inch)	End Connection	Bonnet Type	Sealing Type	Design Standard	Material
150 lbs.	1.5"~30"	RF / FF / RTJ / BW	BB	Metal to Metal	BS 1868 / ASME B16.34	ASTM A 216 GR. WCB/ ASTM A 352 Gr.LCB/ ASTM A 351 CF8/CF8M / ASTM A 890 DUPLEX , ASTM B 148 C95800
300 lbs.	1.5"~24"		BB			
600 lbs.	2"~24"		BB			
900 lbs.	2"~24"		BB/PSB			
1500 lbs.	2"~16"		BB/PSB			
2500 lbs.	2"~8"		BB/PSB			

BUTTERFLY VALVES (WAFER/LUG)



InstrumentationTools.com

Main Features :

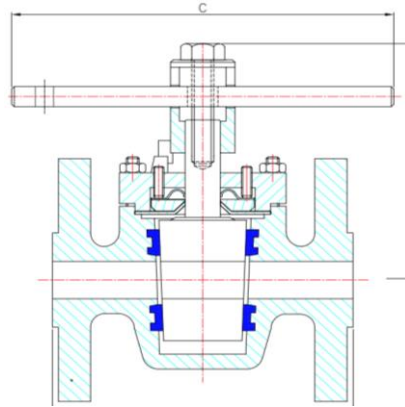
- Low Operating Torque
- Blow Out proof Design & Antistatic Device.
- Design Std : BS5351/API6D ; Testing as per API 598
- Face to Face Dimensions as per ASME B16.10
- Fire Safe as per API 607 / BS6755 Part II / API 6FA
- Full / Reduced Bore
- Double Block & Bleed.

On Request :

- Gear / Actuated (Pneumatic / Motorized / Hydraulic)
- High Temp & Cryogenic Service
- Cryogenic Service

Class Rating	NPS (inch)	End Connection	Bonnet Type	Sealing Type	Design Standard	Material
150 lbs.	2"~60"	RF / FF / RTJ / BW	BB/WB	Metal / Soft	API 6D / ASME B16.34	ASTM A 216 GR. WCB/ ASTM A 352 Gr.LCB/ ASTM A 351 CF8/CF8M / ASTM A 890 DUPLEX /ASTM B 148 C95800/ ASTM A105/ ASTM A182. Gr F304/316
300 lbs.	2"~56"					
600 lbs.	2"~56"					
900 lbs.	2"~52"					
1500 lbs.	2"~32"					
2500 lbs.	2"~20"					

PLUG VALVES



Main Features :

- Low Pressure drop across the valve
- Bi-Directional, Cavity free passage.
- Design Std : API 599 ; Testing STD as per API 598
- Face to Face Dimensions as per ANSI B16.10
- Fire Safe as per API 607
- Suitable for ANSI 150 & 300 class pressures
- Self Lubricated Type.

On Request :

- API 6D Design
- Electrical/Pneumatic/Gear Actuator
- Extended Stem
- PFA lined/Higher Alloy Valves

Class Rating	NPS (inch)	End Connection	Bonnet Type	Sealing Type	Design Standard	Material
150 lbs.	1/2"~16"	RF / FF / RTJ / BW	BB/WB	Metal / Soft	API 598 /API 607	DI to A395/WCB/CF8/CF8M/ Duplex
300 lbs.	1/2"~16"					